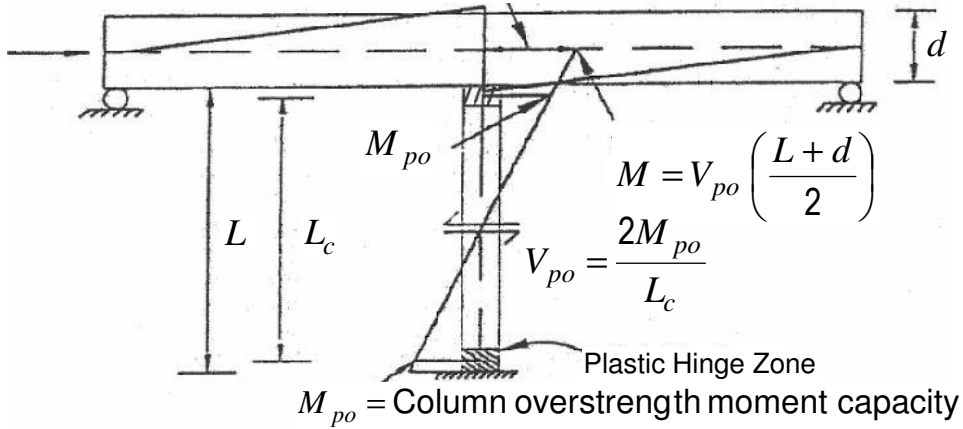
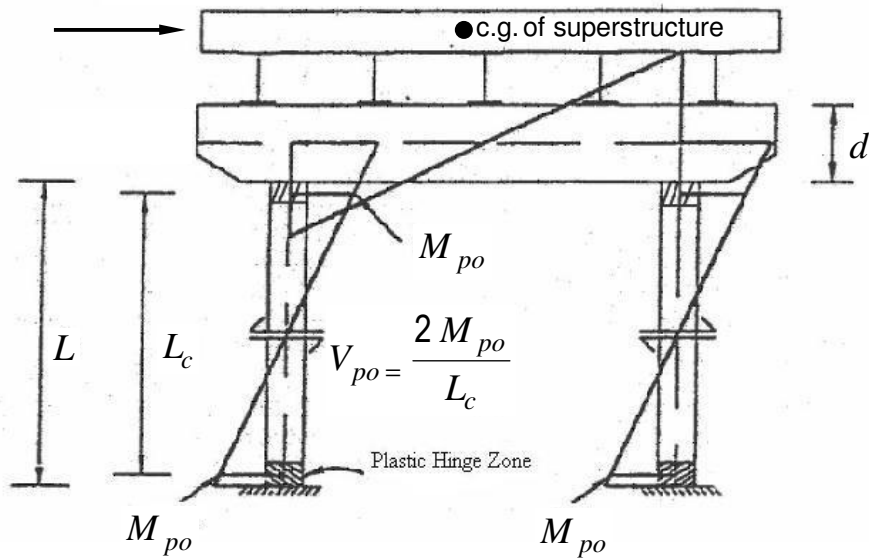


Additional strength to be provided by the bridge deck



(a) Longitudinal Response for Nonintegral Abutments



(b) Transverse Response for Dual Column Pier

Figure 4.11.2-1 Capacity Design of Bridges Using Overstrength Concepts